

GRU A TORRE

# GA 138

GRU AUTOMATICA CON  
MONTAGGIO IDRAULICO

*GA compact*



*GX*



*GH city crane*



*GHS topless*



*FB F.lli Butti s.r.l.*

*Via XXV Aprile, 58*

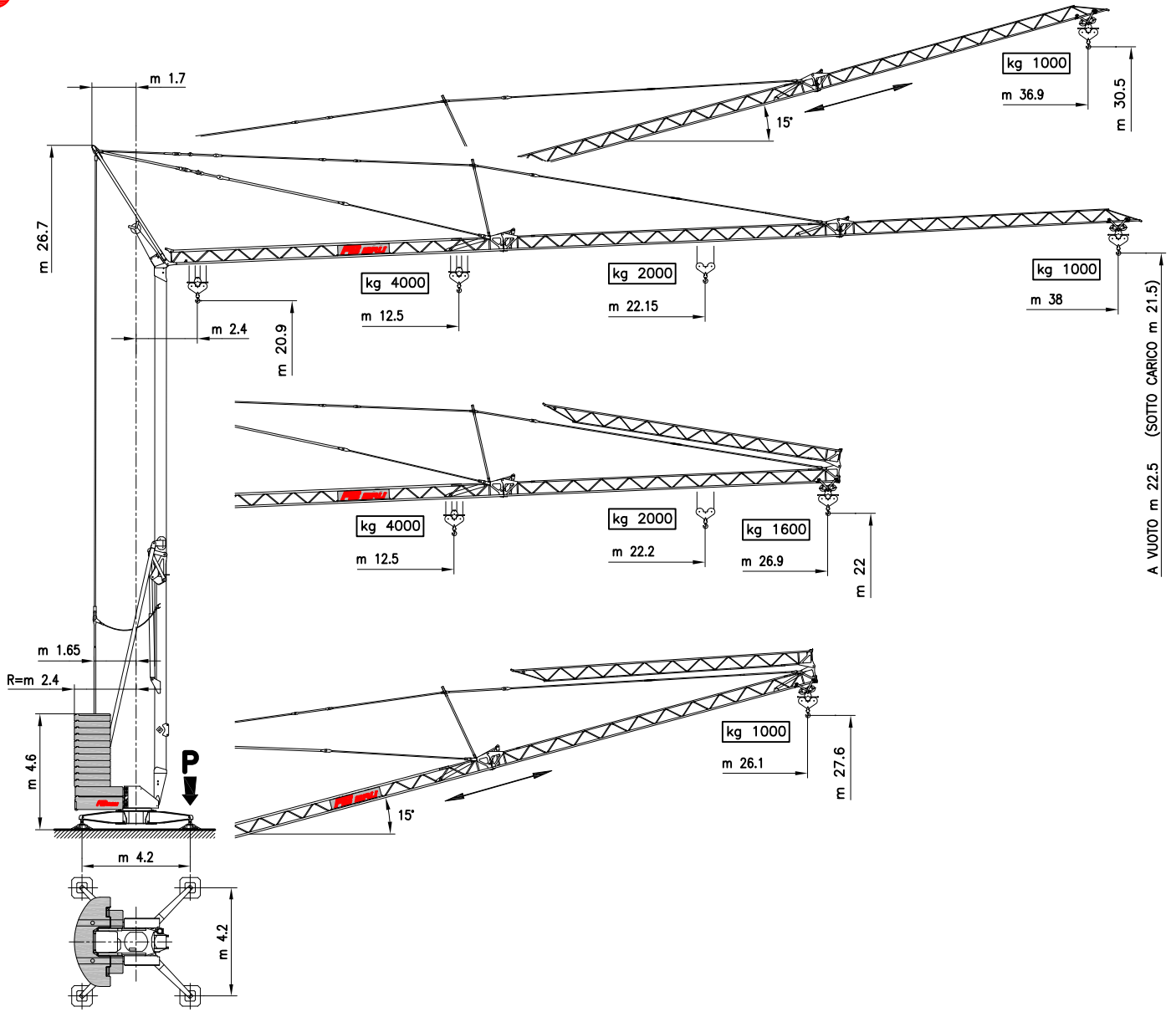
*23868 Valmadrera (LC) - Italia*

*Tel. 0341.581108 - Fax 0341.200253*

*E-mail : fbgru@fbgru.it - <http://www.fbgru.it>*



FEM 1.001 - A3  
EN 14439 - C25



<b>P</b>	
<b>kg 23000</b> <i>In servizio</i> En servicio In service In betrieb En service	<b>kg 17752</b> <i>Fuori servizio</i> Fuera de servicio Out of service Außer betrieb Hors service

	N° 11x1800 N° 2x1850 N° 2x1550 <b>kg 40750</b>	 <b>kg 14150</b>

**LA GRU** LA GRÚA — CRANE  
KLAN — GRUE



<b>MOVIMENTO</b> MOVIMIENTO MOVEMENT BEWEGUNG MOUVEMENT	<b>ALIMENTAZIONE</b> ALIMENTACION OPERATING VOLTAGE BETRIEBSSPANNUNG TENSION DE SERVICE	<b>PRESTAZIONI</b> FUNCIONAMIENTOS PERFORMANCES LEISTUNGEN EXÉCUTIONS	
---	---	---	--

<b>SOLLEVAMENTO</b> ELEVACION — HOISTING HEBEN — LEVAGE   <b>INVERTER</b>	400 V 50 Hz	1 <sup>a</sup> m/1' - kg	2 <sup>a</sup> m/1' - kg	3 <sup>a</sup> m/1' - kg	4 <sup>a</sup> m/1' - kg	kW 9.2
		5 ↓↑	24 ↑   26 ↓	38 ↑   40 ↓	45 ↑   48 ↓	
		2000	2000	1000	600	
		3 ↓↑	12 ↑   13 ↓	19 ↑   20 ↓	23 ↑   24 ↓	
		4000	4000	2000	1200	

<b>CARRELLO</b> CARRILLO — JIB TROLLEY LAUFKATZE — DISTRIBUTION   <b>INVERTER</b>	400 V 50 Hz	1 <sup>a</sup> m/1'	2 <sup>a</sup> m/1'	3 <sup>a</sup> m/1'	kW 3
		18	30	56	

<b>ROTAZIONE</b> ROTACION — SLEWING DREHEN — ORIENTATION   <b>INVERTER</b>	400 V 50 Hz	1 <sup>a</sup> g/1'	2 <sup>a</sup> g/1'	3 <sup>a</sup> g/1'	kW 3
		0 → 0.15	0.15 → 0.6	0.6 → 0.85	



Conforme alle direttive  
CEE sul livello acustico  
2000/14/CE

Conforme con las directivas  
CEE sobre el nivel acustico

In compliance with the EEC  
instructions on noise level

Gemäss EWG-Richtlinien für  
den Schall-Leistungspegel

Conforme aux directives CEE  
sur le niveau acoustique

## CURVE DI CARICO

## CURVAS DE CARGAS — LOAD DIAGRAMS

## LASTKURVEN — COURBES DE CHARGES

V38

	m	2.4	7	12.5	14	16	18	20	22.1	24	26.9	28	30	32	34	36	38
	kg	4000			3504	3001	2618	2316	2000	1822	1594	1521	1402	1298	1207	1127	1000

	m	2.4	7	10	13	16	19	22	25	28	31	34	36.9	(0 - 2000 kg)	(2001 - 4000 kg)
	kg	1000													

## POTENZA RICHIESTA

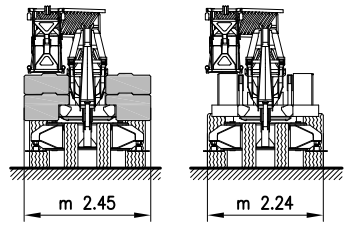
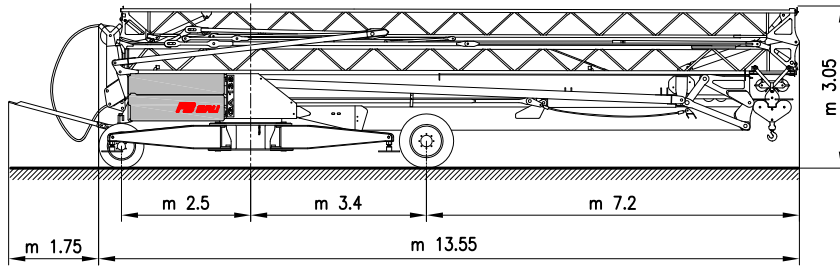
## POTENCIA-ELECTRICA NECESARIA — NECESSARY ELECTRIC POWER

## KRAFTBEDARF — PUISSANCE ELECTRIQUE NECESSAIRE

	<b>SOLLEVAMENTO</b> ELEVACION — HOISTING — HEBEN — LEVAGE	kg 2000	kg 4000
	<b>12 kw</b> 400 V - 50 Hz		

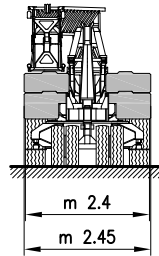
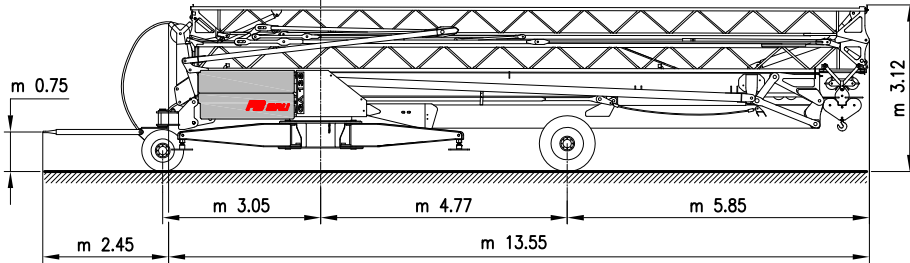
**TRASPORTO** TRANSPORTE — TRANSPORT  
TRANSPORT — TRANSPORT

**5**  
km/h



FB25K1

**25**  
km/h



**MONTAGGIO** MONTAJE — ERECTION  
MONTAGE — MONTAGE

